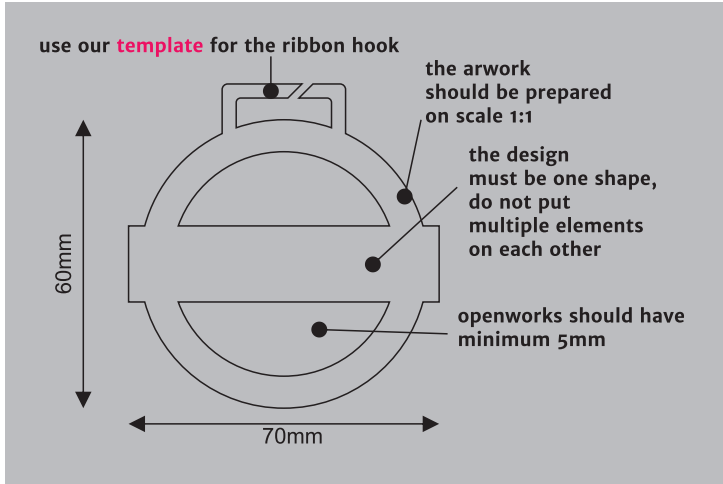


How to prepare laser cut medal?

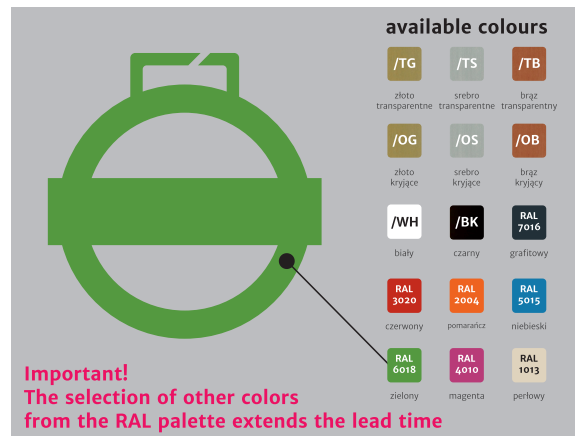
Attention!

1. Create the shape

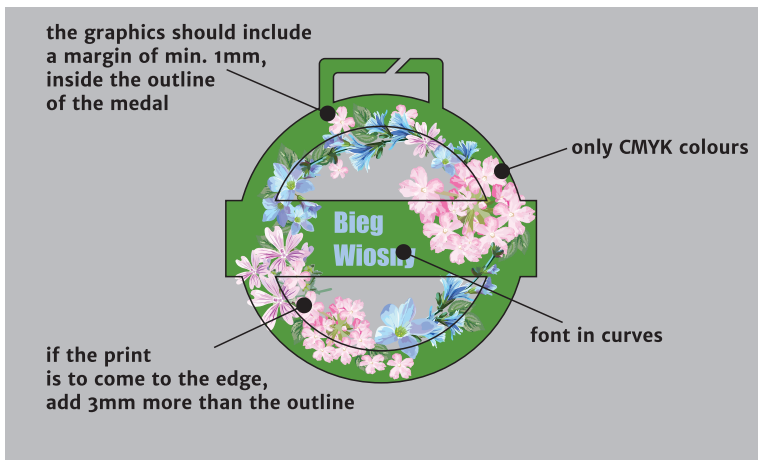


We only accept artworks sent in pdf or cdr files (max. version 19 from 2017)

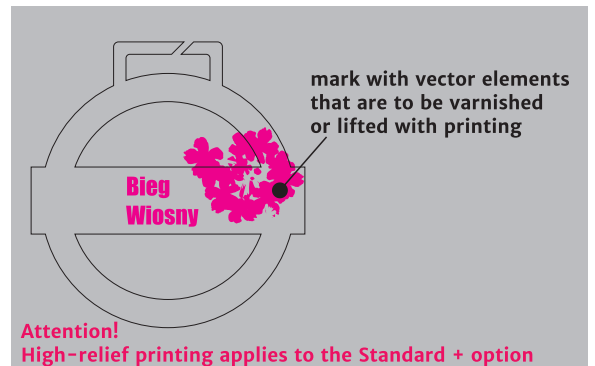
2. Choose the colour of powder paint



3. Add your graphics and texts



4. Prepare elements for varnish and high-relief printing



5. Add a ribbon

